

■ Upper sleeve with base plate



Uhlmann Sonnenschirme e.K.
 Langer Rain 3-5
 D-88524 Uttenweiler-Denting
 Tel.: +49 (0) 73 74 - 920 57 0
 Fax: +49 (0) 73 74 - 920 57 50
 info@uhlmann-online.de
 www.uhlmann-sonnenschirme.de

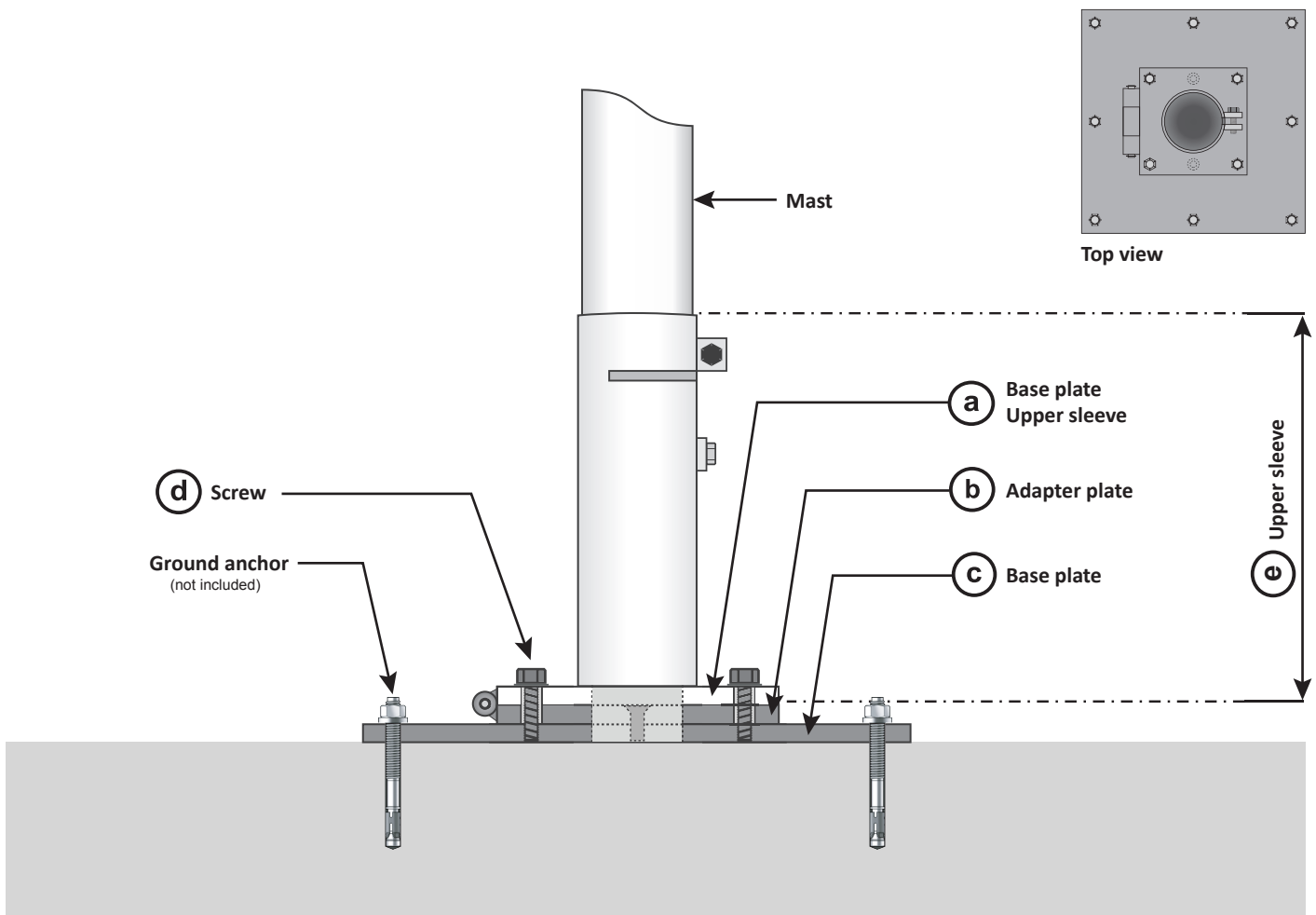
■ Instruction

The dimensions of the base plate may not fall short of the mass given below!

The base plate top should be justified with the ground level and must be fixed with 8 ground anchor (not included in the delivery) to the existing ground.

The location of the plate is to be chosen in such a way, that with open screen a distance from 20 cm is kept to buildings, other umbrellas or other objects.

With several umbrellas side by side we also recommend a distance of 20 cm in the open state.



Type	(a) Base plate Upper sleeve LxBxH	(b) Adapter plate LxBxH	(c) Base plate LxBxH	(d) Screw	(e) Upper sleeve
T, TS	150x150x8	150x150x12	300x300x12	M10x35 10.9	260 mm
T, TS	150x150x8	150x150x12	500x500x12	M10x35 10.9	260 mm
TL, TLx	200x200x12	200x200x12	500x500x12	M12x40 10.9	430 mm
TXS, TX, TXV, MMA	200x200x12	200x200x12	500x500x12	M12x40 10.9	430 mm